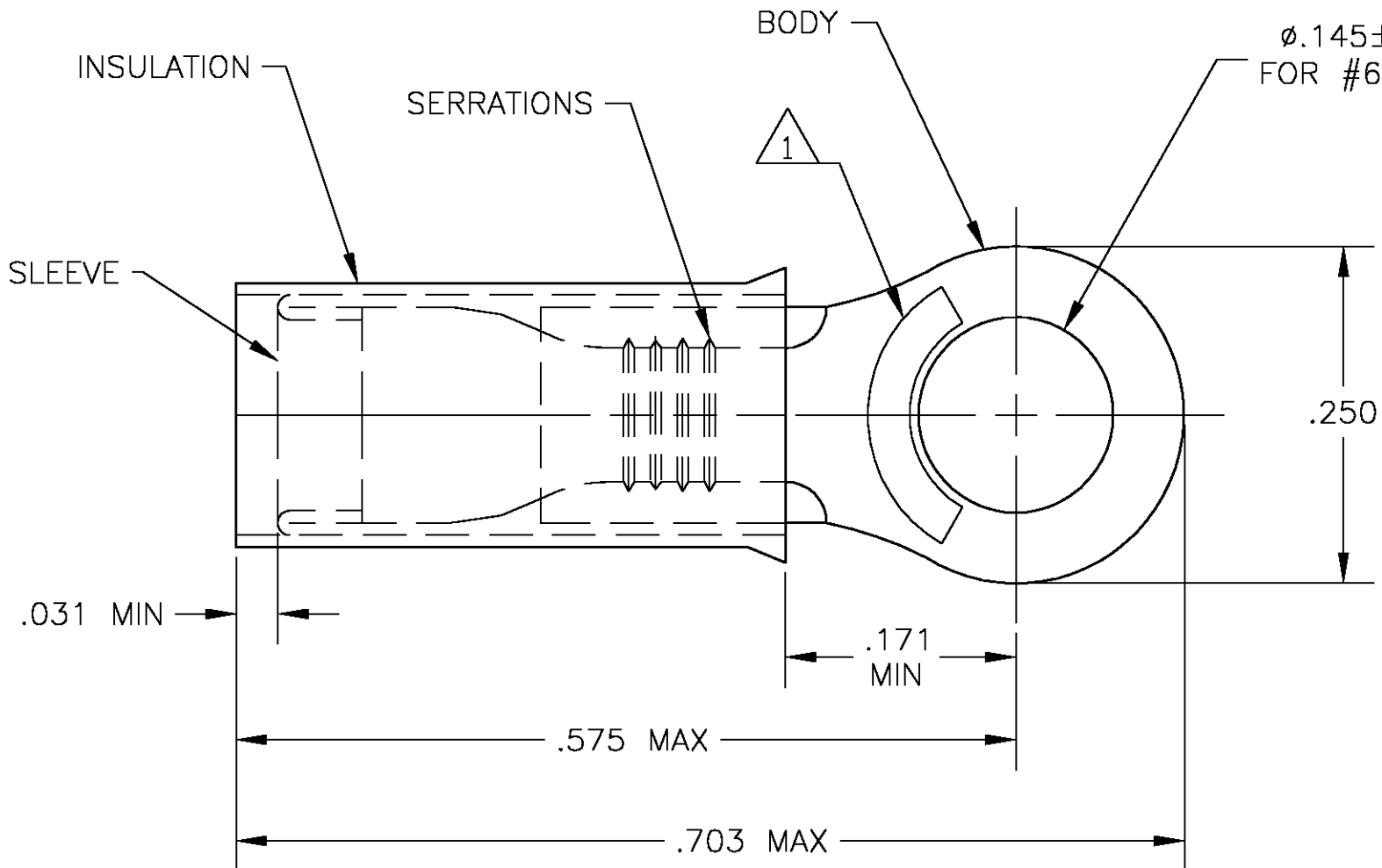


THIS DRAWING IS UNPUBLISHED. RELEASED FOR PUBLICATION
 © COPYRIGHT BY TYCO ELECTRONICS CORPORATION. ALL RIGHTS RESERVED.

LOC	DIST	REVISIONS					
G	14	P	LTR	DESCRIPTION	DATE	DWN	APVD
		H		REV PER 0G3A-0509-03	19AUG03	JR	TM

AMP WIRE RANGE	Listed	LR7189 Certified
16-14 AWG SOLID OR STRANDED	16-14 AWG SOLID OR STRANDED	16-14 AWG SOLID OR STRANDED



- 1 STAMP AMP 16-14*, APPROX AS SHOWN. STAMP MAY BE ON TOP OR BOTTOM.
- 2 TONGUE THICKNESS IS $.031 \pm .002$
- 3 FOR $.115-.170$ WIRE INSULATION DIA
- 4 MAX RECOMMENDED OPERATING TEMP IS 105°C .
- 5 300 VOLT MAX RATING.
- 6 WIRE CROSS SECTIONAL AREA RANGE $1.04-2.62\text{mm}$ [2,050-5,180 CIR MILS]

25	LOOSE PIECE, BLS	BODY & SLEEVE: COPPER PER ASTM B152 TIN PL. PER ASTM B-545 INSULATION: NYLON COLOR: BLUE	9-320619-4
5	LOOSE PIECE, BLS		8-320619-4
100	LOOSE PIECE, BOX		8-320619-1
5000	ON TAPE, REEL		2-320619-1
-	LOOSE PIECE		320619
QTY	PACKAGING	MATERIAL / FINISH	PART NO

THIS DRAWING IS A CONTROLLED DOCUMENT.		DWN jr_ruth 19AUG03	Tyco Electronics Corporation Harrisburg, PA 17105													
DIMENSIONS: INCHES		CHK T MICHIELUTTI 19AUG03	NAME													
TOLERANCES UNLESS OTHERWISE SPECIFIED:		APVD T MICHIELUTTI 19AUG03	WIRE TERMINAL PIDG, RING TONGUE WIRE SIZE: 16-14													
<table border="0"> <tr><td>0 PLC</td><td>± -</td></tr> <tr><td>1 PLC</td><td>± -</td></tr> <tr><td>2 PLC</td><td>± -</td></tr> <tr><td>3 PLC</td><td>± .008</td></tr> <tr><td>4 PLC</td><td>± -</td></tr> <tr><td>ANGLES</td><td>± 1'</td></tr> </table>		0 PLC	± -	1 PLC	± -	2 PLC	± -	3 PLC	± .008	4 PLC	± -	ANGLES	± 1'	PRODUCT SPEC UL486A	SIZE	CAGE CODE
0 PLC	± -															
1 PLC	± -															
2 PLC	± -															
3 PLC	± .008															
4 PLC	± -															
ANGLES	± 1'															
MATERIAL		APPLICATION SPEC 114-2157	DRAWING NO A3 00779 C-320619													
FINISH		WEIGHT	RESTRICTED TO													
-		-	-													
CUSTOMER DRAWING			SCALE	SHEET												
			8:1	1 OF 1												
			REV	H												